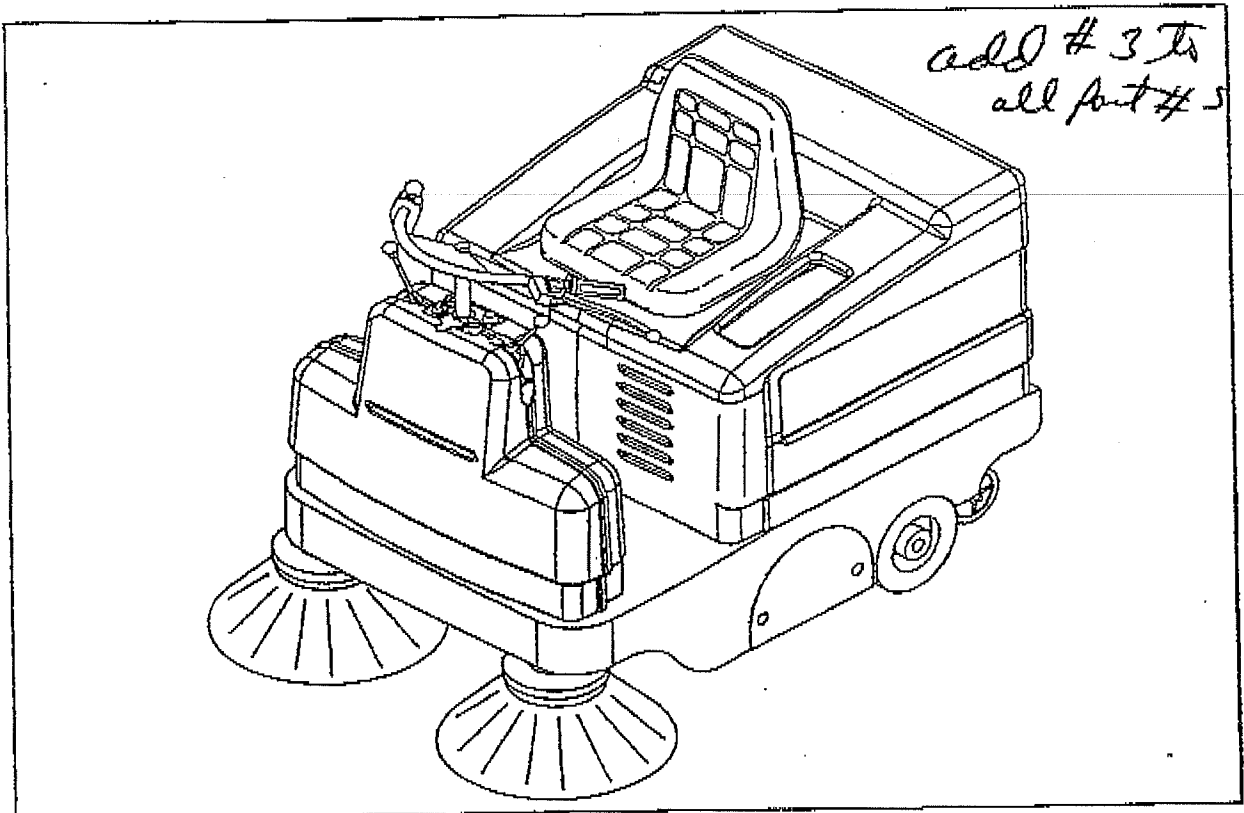


MATT
517-702-204

Minuteman® PowerBoss®

PROWLER Parts Manual MODEL RS 42 & KS 40



Minuteman® PowerBoss®

P.O. Box 1227 175 Anderson Street
Aberdeen, NC 28315-1227 USA
(910) 944 - 2105 FAX: (910) 944-7409

TAV. 1

RS 42

DATA 29/03.

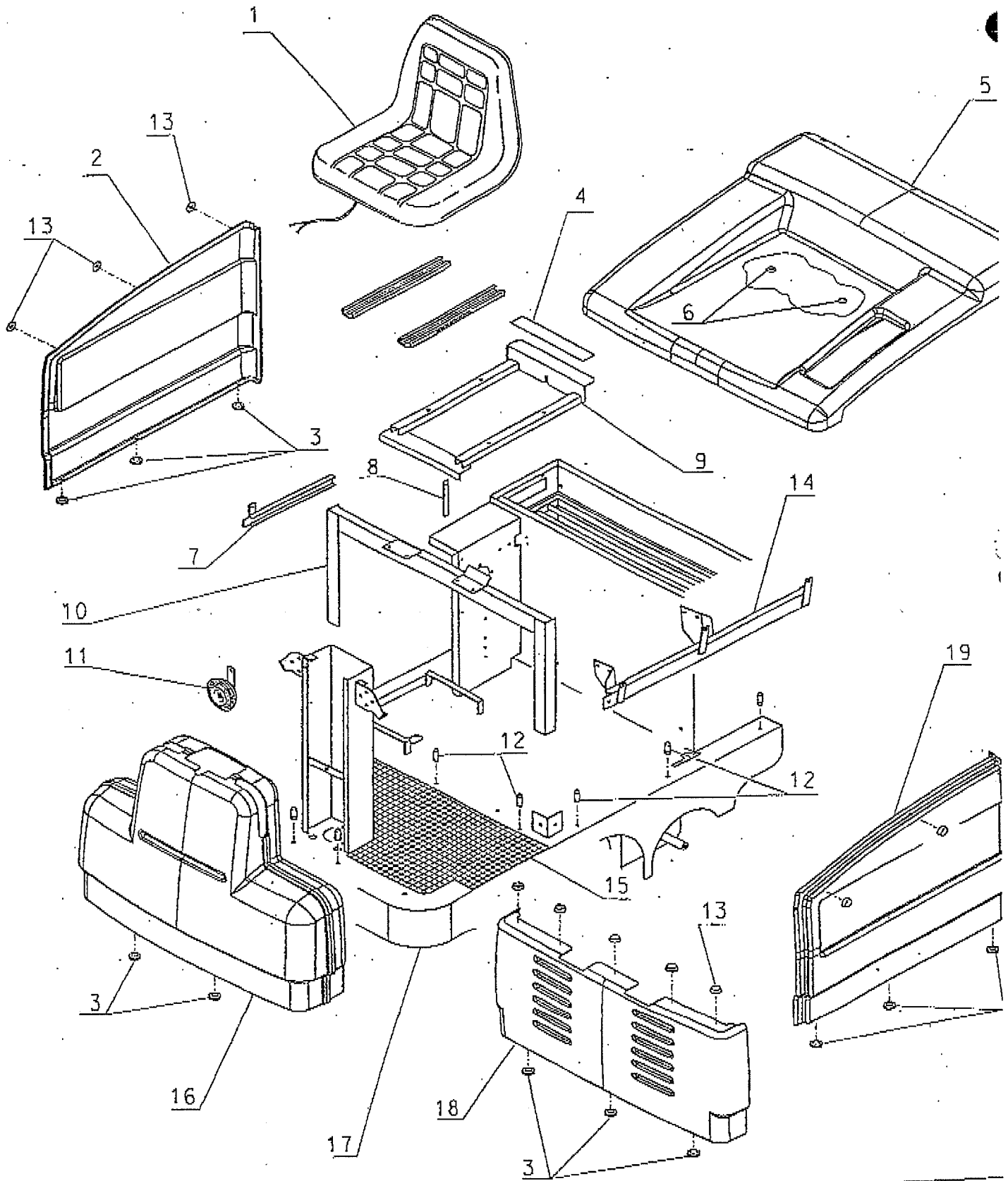


DIAGRAM 1

RS 42

23/07/2002

Ref.N°	Part.N°	Description	Electric Qty
1	1001723	Seat with microswitch	1
2	1001595	Right chassis	1
3	1001611	Rubber ring	11
4	1001634	Profile	1
5	1001593	Upper hood	1
6	1001616	Washer	2
7	1001525	Right fairing support	1
8	1001479	Hood rod	1
9	1001507	Seat frame	1
10	1001504	Fairing frame	1
11	1001733	Horn	1
12	1001541	Lock pin	11
13	1001615	Washer	11
14	1001526	Left fairing support	1
15	1001626	Rubber carpet	1
16	1001594	Bonnet	1
17	1001536	Chassis	1
18	1001597	Front panel	1
19	1001596	Left chassis	1

TAV. 2

RS 42

DATA 29/03/01

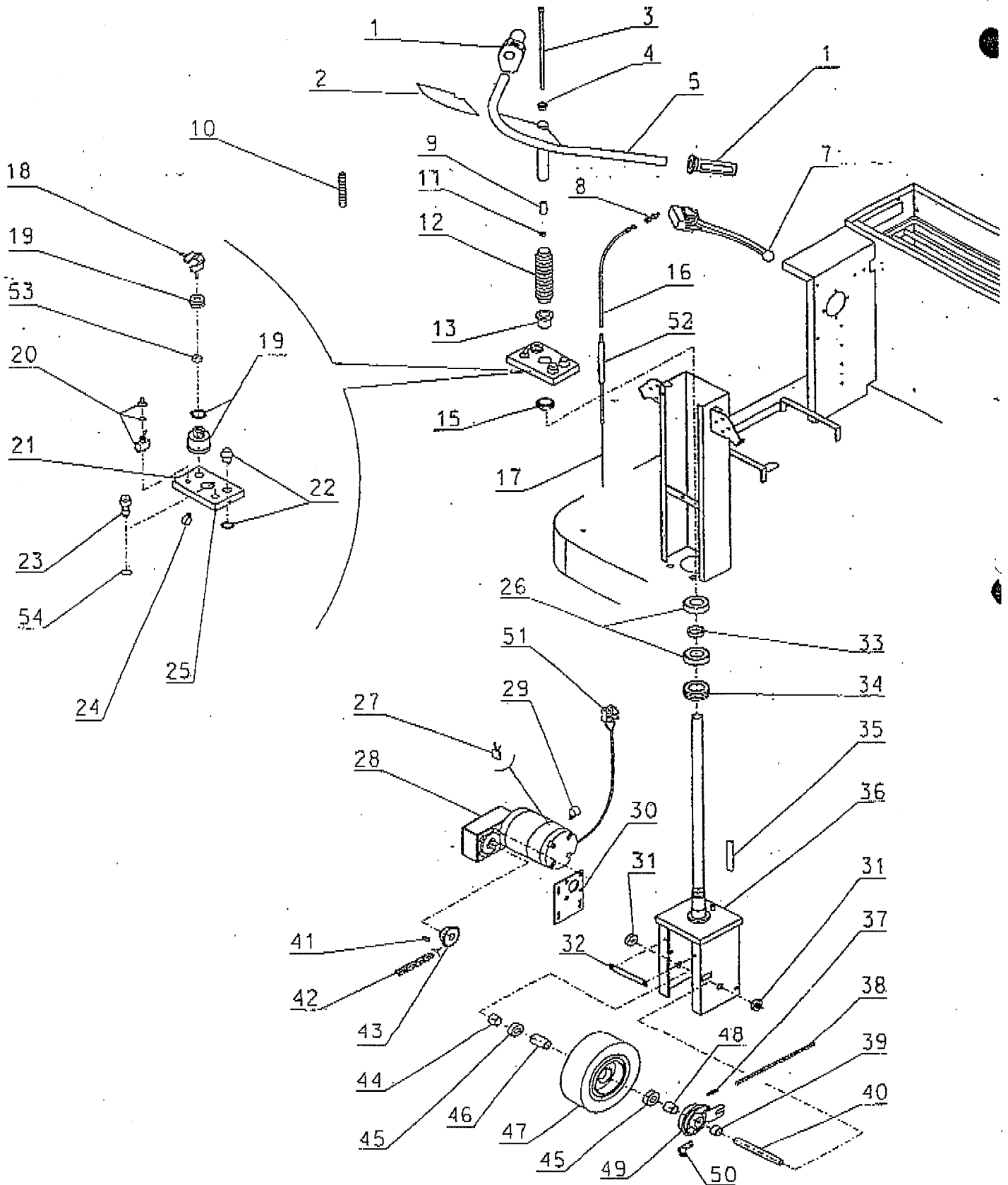


DIAGRAM 2

RS 42

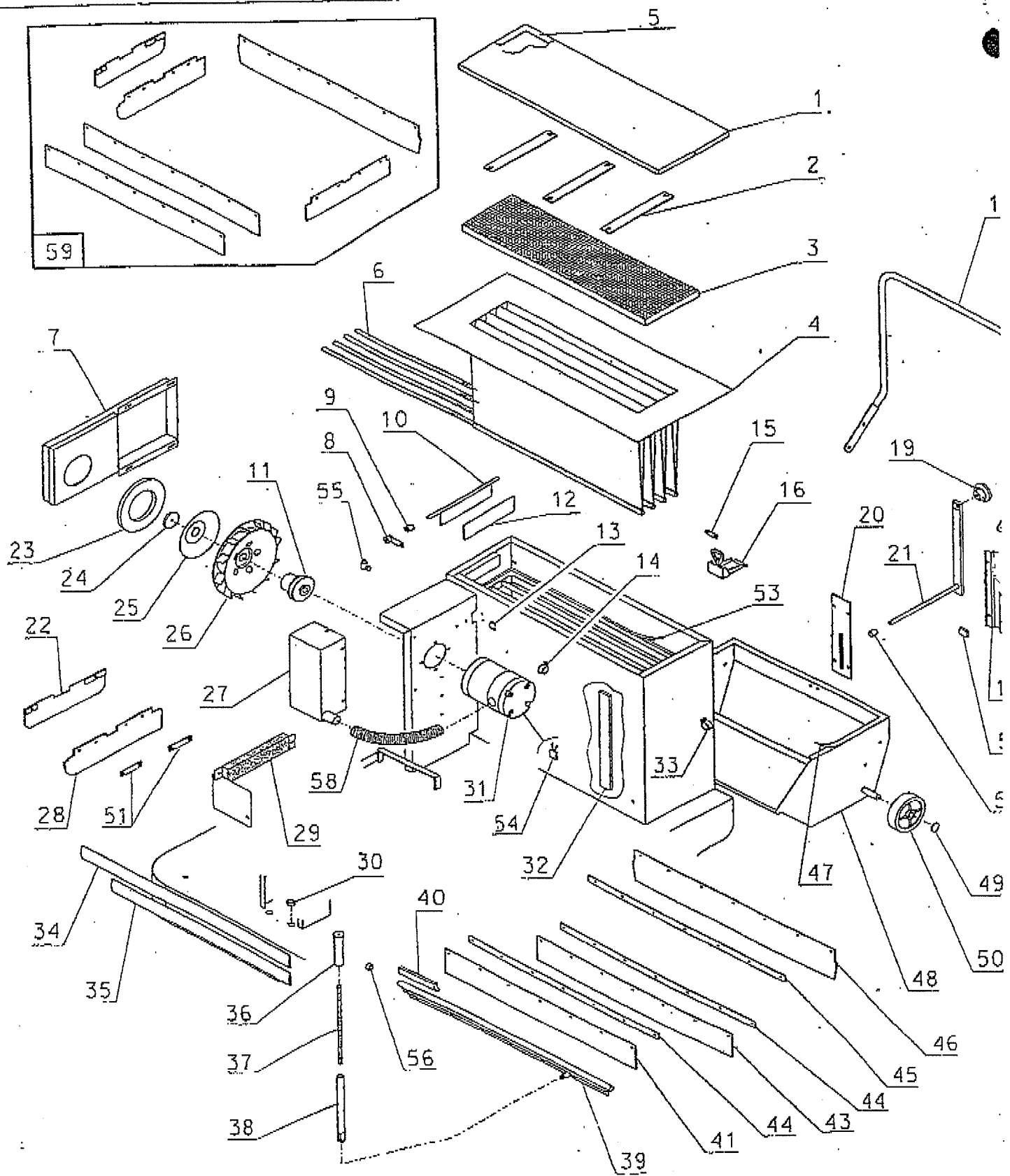
23/07/2002

Ref.N°	Part.N°	Description	Electric Qty
1	1001758	Plate handles	1
2	1001680	Adhesive	1
3	1001478	Screw	1
4	1001565	Washer	1
5	1001539	Handle	1
7	1001705	Lever	1
8	1001494	Adjuster	1
9	1001564	Conical Bush	1
10	1001635	Sheath	1
11	1001766	Nut	1
12	1001617	Protection for steering column	1
13	1001556	Bush	1
15	1001767	Steel ring	1
16	1001710	Sheath	1
17	1001711	Break thread	1
18	1001761	Couple of keys	1
19	1001762	Switch without key	1
20	1001741	Switch	1
21	1001677	Adhesive	1
22	1001760	Horn push botton	1
23	1001756	Charge indicator	1
24	1001753	Clamp	1
25	1001503	Panel	1
26	1001655	Bearing	2
27	1001739	Carbon	4
28	1001724	Reducer	1
29	1001732	Clamp	1
30	1001502	Plate	1
31	1001557	Washer	2
32	1001473	Plate	1
33	1001559	Spacer	1
34	1001654	Bearing	1
35	1001636	Profile	1
36	1001532	Clamp	1
37	1001704	Adjuster	1
38	1001700	Spring	1
39	1001563	Spacer	1
40	1001558	Shaft	1
41	1001772	Key	1
42	1001667	Chain	1
43	1001666	Pinion	1
44	1001561	Spacer	1
45	1001652	Bearing	2
46	1001560	Spacer	1
47	1001665	Wheel	1
48	1001562	Spacer	1
49	1001720	Brake support	1
50	1001520	Brake lever	1
51	1001751	Clamp	1
52	1001630	Hose	1
53	1001497	Dust-casing	1
54	1001631	Ring	1

TAV. 3

RS 42

DATA 25/06/



06/23/2003 13:44 FAX 910 944 3199

MM POWERBOSS

008

23/07/2002

DIAGRAM 3

RS 42

Ref.N°	Part.N°	Description	Electric Qty
1	1001480	Filter cover	1
2	1001476	Plate	3
3	1001514	Fixing panel	1
4	1001688	Bag filter	1
5	1001637	Profile	1
6	1001491	Shaking round bar	4
7	1001506	Aspiration box	1
8	1001531	Lever	1
9	1001555	Spacer	1
10	1001515	Vacuum cut-off	1
11	1001587	Pulley	1
12	1001629	Sponge	1
13	1001470	Clamp	1
14	1001750	Clamp	1
15	1001722	Counterpart lever closing	1
16	1001721	Closing	1
17	1001538	Container handle	1
18	1001477	Filter-shaker guide	1
19	1001621	Handle	1
20	1001628	Guide	1
21	1001510	Filter-shaker lever	1
22	1001647	Rubber	1
23	1001622	Kasher	1
24	1001540	Disc	1
25	1001590	Plate	1
26	1001605	Vacuum fan	1
27	1001782	Box for noise level reduction	1
28	1001648	Rubber	1
29	1001783	Bar	1
30	1001612	Rubber	1
31	1001725	Vacuum motor	1
32	1001638	Profile	6
33	1001734	Clamp	1
34	1001604	Bumper	1
35	1001603	Bumper	1
36	1001519	Spring guide	1
37	1001697	Spring	1
38	1001518	Spring guide	1
39	1001516	Flap shaft	1
40	1001641	Profile	1
41	1001627	Rubber	1
43	1001624	Rubber	1
44	1001484	Bar	2
45	1001486	Bar	1
46	1001625	Rubber	1
47	1001640	Profile	1
48	1001517	Dirt container	1
49	1001718	Stop wheel	2
50	1001663	Wheel	2
51	1001489	Plate	2
52	1001609	Rubber plug	1
53	1001639	Profile	1
54	1001748	Carbon	4
55	1001706	Clamp	1
56	1001568	Bush	1
57	1001645	Rubber plug	1
58	1001646	Sheath	1
59	1001671	Rubber flaps set	-

TAV. 4

RS 42

DATA 23/11/

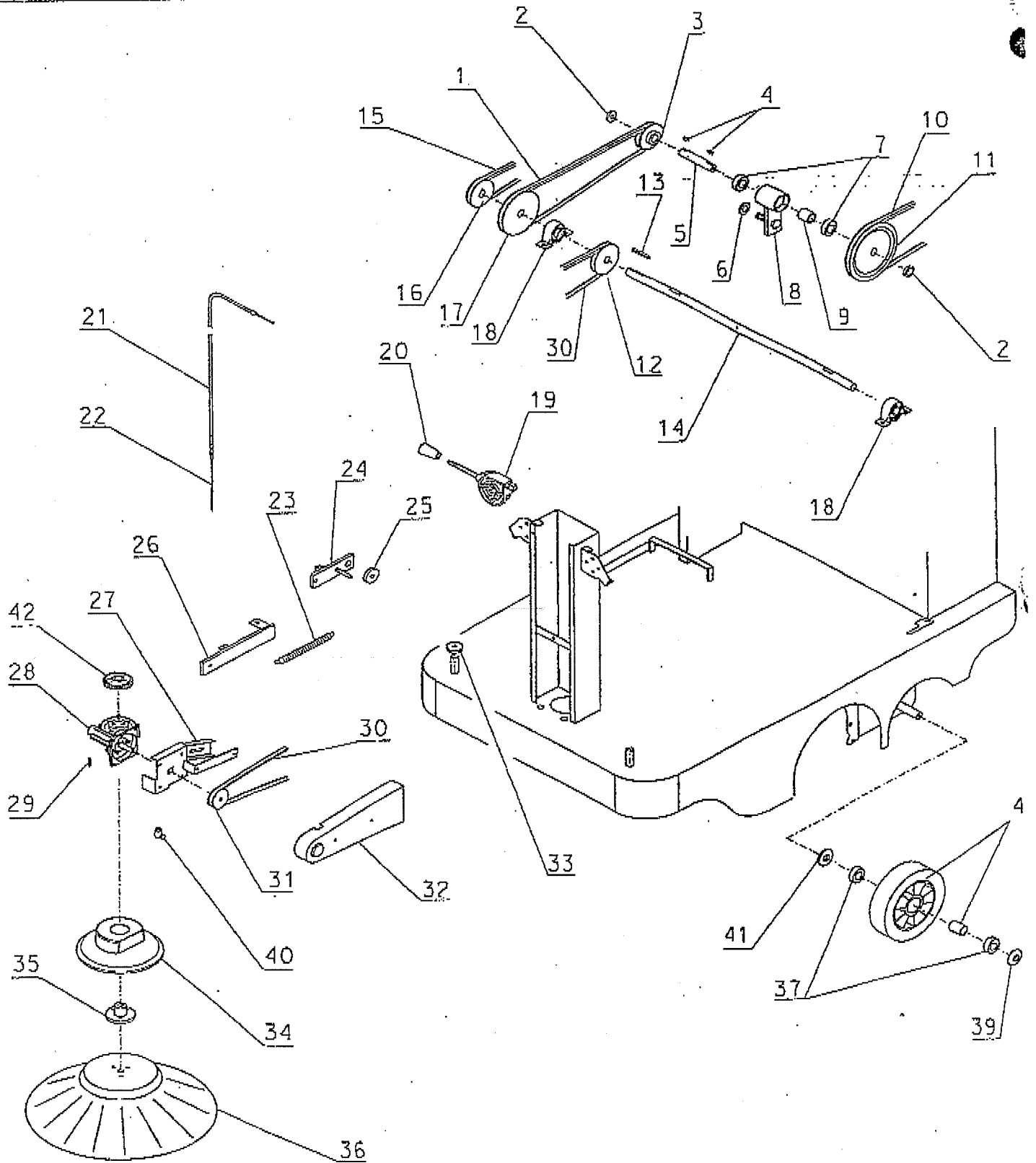


DIAGRAM 4

RS 42

23/07/2002

Ref.N°	Part.N°	Description	Electric Q.ty
1	1001662	Belt	1
2	1001552	Washer	2
3	1001580	Pulley	1
4	1001773	Key	2
5	1001572	Pivot	1
6	1001566	Washer	1
7	1001651	Bearing	2
8	1001535	Support	1
9	1001551	Spacer	1
10	1001660	Belt	1
11	1001579	Pulley	1
12	1001583	Pulley	2
13	1001777	Key	1
14	1001574	Shaft	1
15	1001661	Belt	1
16	1001585	Pulley	1
17	1001586	Pulley	1
18	1001657	Bearing	1
19	1001702	Rh side brush lever	1
20	1001607	Plate handle	1
21	1001716	Sheath	1
22	1001714	Thread	1
23	1001695	Spring	1
24	1001508	Right support	1
25	1001549	Washer	1
26	1001499	Brush arm	1
27	1001511	Right support	1
28	1001690	Reducer DX	1
29	1001774	Key	1
30	1001658	Belt	1
31	1001577	Pulley	1
32	1001598	Protection	1
33	1001618	Handle	1
34	1001591	Protection side-brush right	1
35	1001602	Flange	1
36	1001685	Side brush	1
37	1001656	Bearing	4
39	1001570	Washer	2
40	1001708	Clamp	1
41	1001571	Spacer	2
42	1001779	Reduction gear R.	1
43	1001664	Wheel	2

TAV. 5

R5 42

DATA 29/03

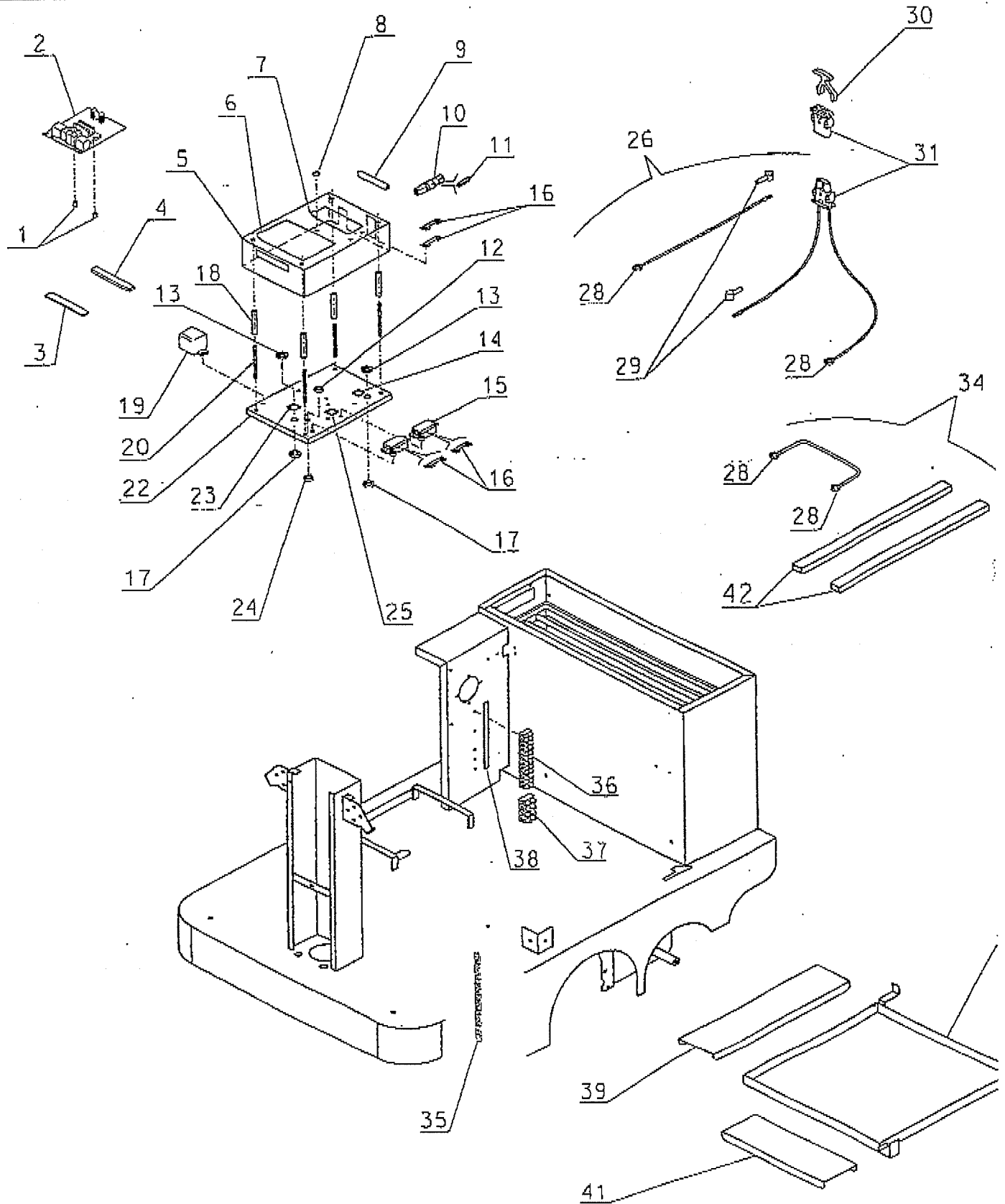


DIAGRAM 5

RS 42

24/07/2002

Ref.N°	Part.N°	Description	Electric Qty
1	1001567	Spacer	2
2	1001757	Electric card	1
3	1001644	Profile	1
4	1001643	Profile	1
5	1001523	Cover	1
6	1001683	Adhesive	1
7	1001682	Adhesive	1
8	1001610	Rubber plug	1
9	1001642	Profile	1
10	1001740	Fuse-box	1
11	1001738	Fuse 8A	1
12	1001589	Washer	1
13	1001543	Washer	2
14	1001675	Adhesive	1
15	1001742	Fuse-box	2
16	1001743	Fuse 30A	4
17	1001542	Washer	2
18	1001487	Spacer	4
19	1001759	Relais	1
20	1001488	Bar	4
22	1001512	Electric box base	1
23	1001676	Adhesive	1
24	1001588	Washer	1
25	1001679	Adhesive	1
26	1001729	Wiring	1
28	1001500	Clamp	4
29	1001749	Protection	1
30	1001737	Handle	1
31	1001735	Connector	1
34	1001730	Connection cable	1
35	1001668	Chain	1
36	1001731	Terminal board	1
37	1001751	Terminal board	1
38	1001681	Adhesive	1
39	1001493	Thickness	1
40	1001513	Batteries case	1
41	1001492	Thickness	1
42	1001472	Battery block	2

DATA 10/09/01

RS 42

TAV. 6

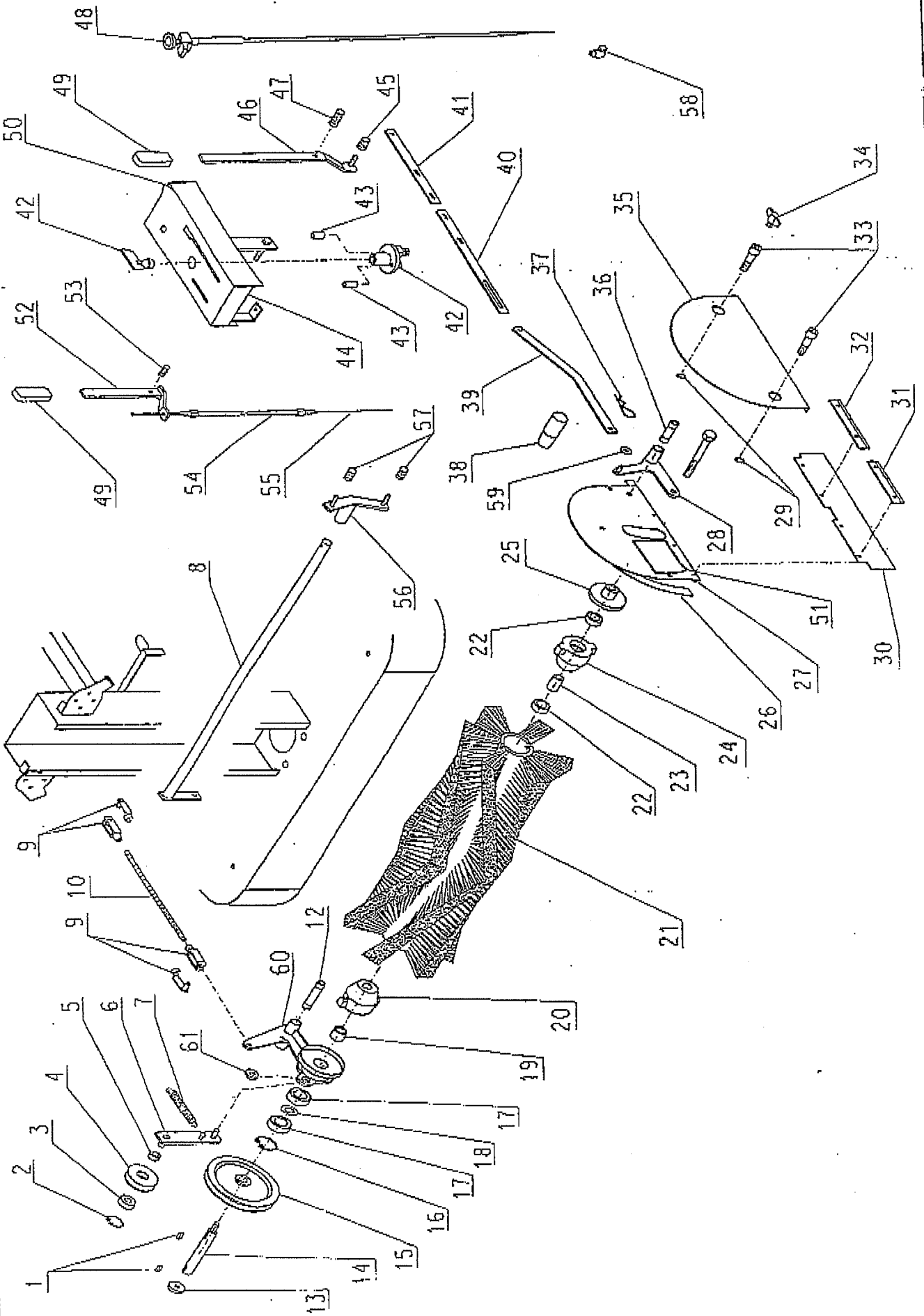


DIAGRAM 6

RS 42

23/07/2002

Ref.N°	Part.N°	Description	Electric Q.ty
1	1001776	Key	2
2	1001769	Ring	1
3	1001649	Bearing	1
4	1001582	Pulley	1
5	1001545	Spacer	1
6	1001534	Belt tensioner support	1
7	1001692	Spring	1
8	1001509	Shaft	1
9	1001719	Fork	2
10	1001481	Bar	1
12	1001547	Spacer	1
13	1001553	Washer	1
14	1001573	Pivot	1
15	1001581	Pulley	1
16	1001771	Ring	1
17	1001652	Bearing	2
18	1001768	Washer	1
19	1001544	Spacer	1
20	1001576	Right hub	1
21	1001687	Main brush	1
22	1001649	Bearing	2
23	1001548	Spacer	1
24	1001575	Left hub	1
25	1001529	Brush protection	1
26	1001645	Profile	1
27	1001482	Left inside closure	1
28	1001528	Lever	1
29	1001770	Ring	1
30	1001623	Rubber	1
31	1001474	Bar	1
32	1001475	Bar	1
33	1001554	Screws	2
34	1001781	Key	1
35	1001530	Closing	1
36	1001546	Bush	1
37	1001778	Split pin	1
38	1001620	Plate handle	1
39	1001483	Bar	1
40	1001485	Upper bar	1
41	1001495	Lower bar	1
42	1001754	Battery disconnection + key	1
43	1001490	Spacer	2
44	1001505	Side panel	1
45	1001693	Spring	1
46	1001521	Main brush lever	1
47	1001698	Spring	1
48	1001703	Vacuum knob	1
49	1001606	Plate handle	2

DATA 10/09/01

RS 42

TAV. 6

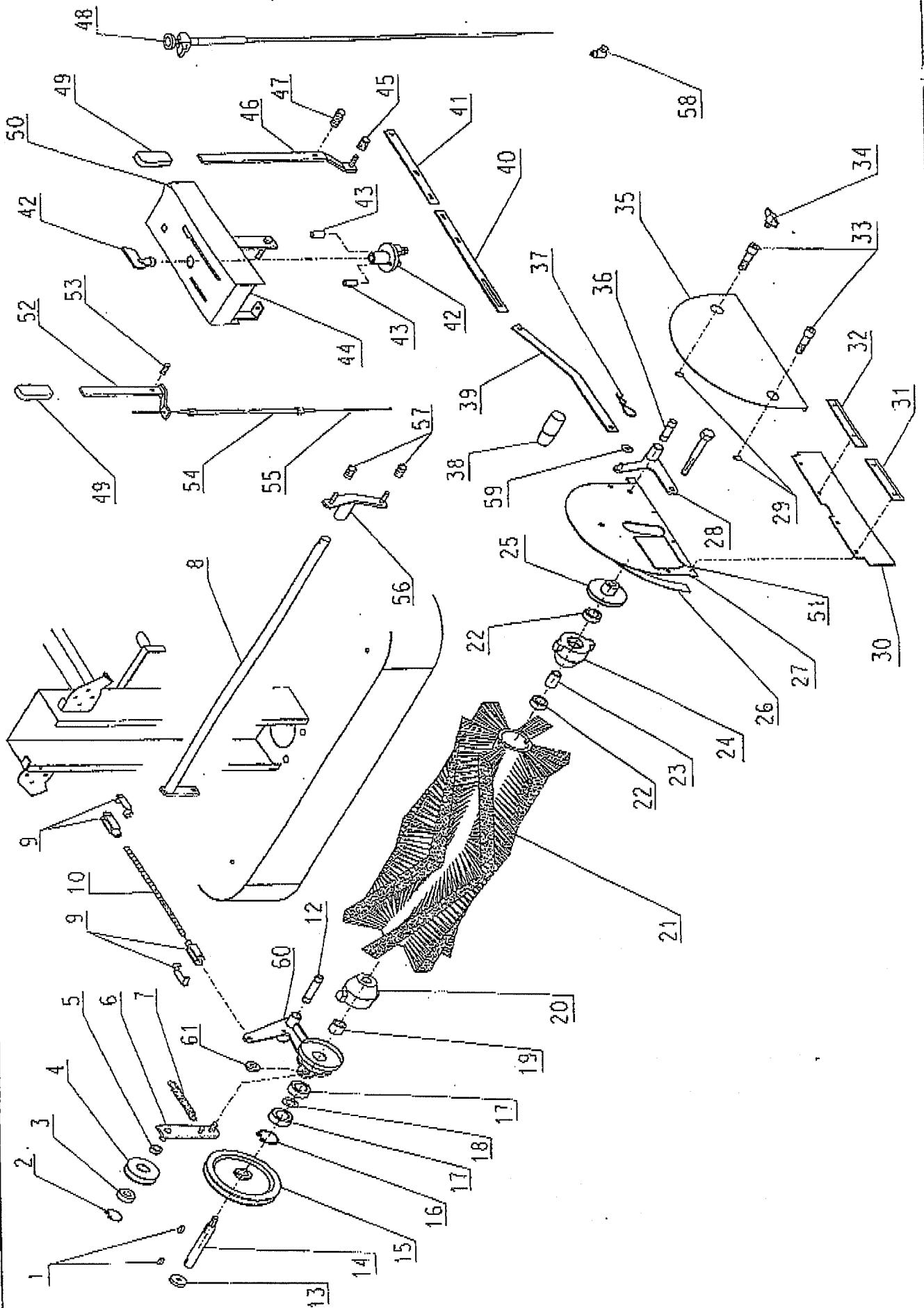


DIAGRAM 6

RS 42

23/07/2002

Ref.N°	Part.N°	Description	Electric Q.ty
50	1001678	Panel label	1
51	1001684	Adhesive	1
52	1001522	Flap lever	1
53	1001693	Spring	1
54	1001712	Sheath	1
55	1001713	Thread	1
56	1001533	Lever	1
57	1001699	Spring	1
58	1001706	Clamp	1
59	1001632	Washer	1
60	1001537	Right support	1
61	1001569	Bush	1

TAV. 7

RS 42 - OPTIONAL

DATA 14/06,

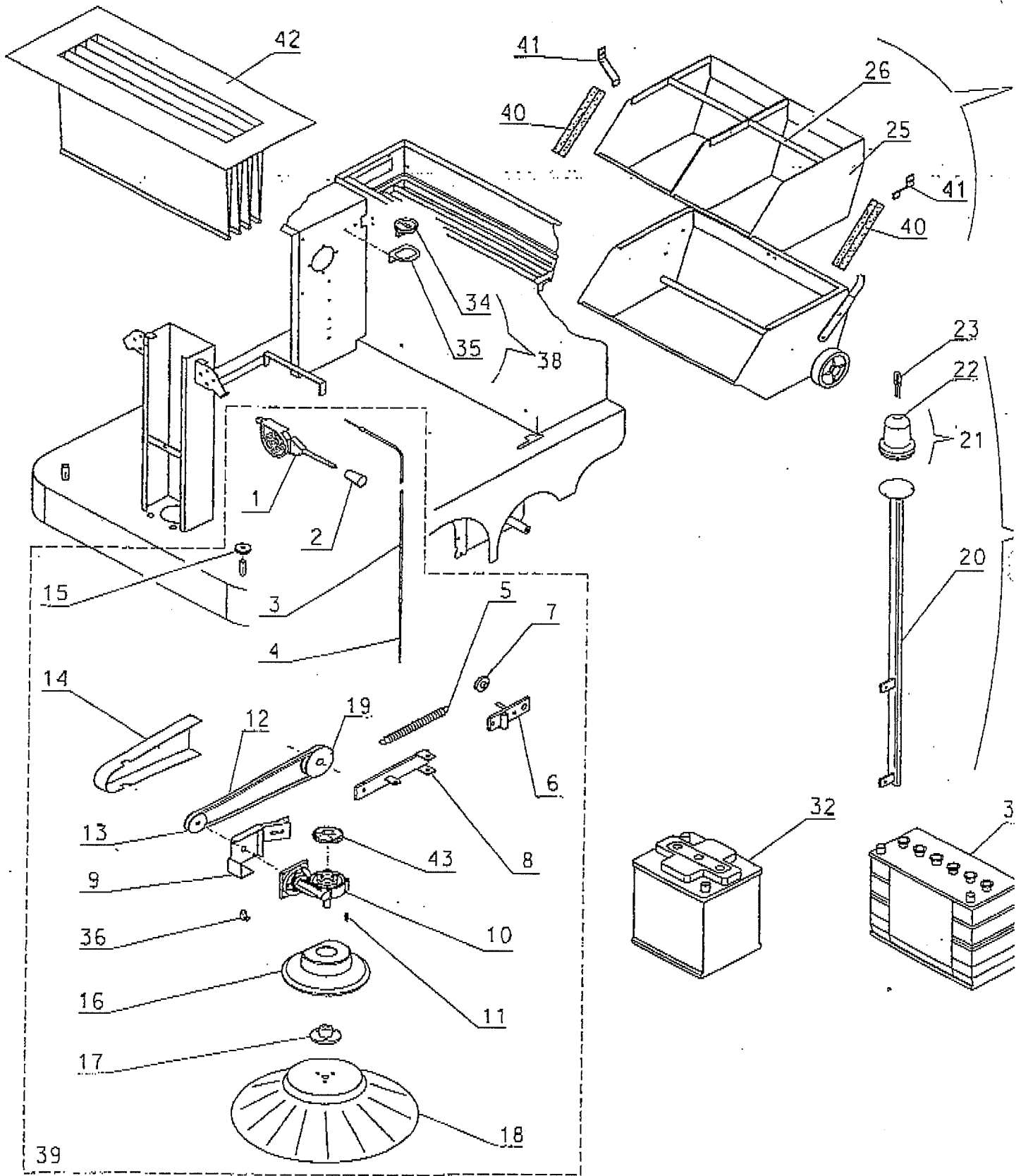


DIAGRAM 7

RS 42

24/07/2002

Ref.N°	Part.N°	Description	Electric Qty
1	1001701	Lh side brush lever	1
2	1001607	Plate handle	1
3	1001716	Sheath	1
4	1001714	Thread	1
5	1001695	Spring	1
6	1001501	Left support	1
7	1001549	Washer	1
8	1001499	Brush arm	1
9	1001524	Left support	1
10	1001691	Reducer SX	1
11	1001774	Key	1
12	1001658	Belt	1
13	1001577	Pulley	1
14	1001599	Protection	1
15	1001618	Handle	1
16	1001592	Protection side-brush left	1
17	1001601	Flange	1
18	1001685	Side brush	1
19	1001583	Pulley	1
20	1001498	Supporting rod	1
21	1001764	Multi voltage flashing light	1
22	1001763	Flashing light Housing	1
23	1001765	Bulb Xenon	1
24	1001669	Flashing lamp	1
25	1001600	Refuse-box	2
26	1001527	Container handle	2
32	1001726	Battery 6V 240 Ah (full charge)	4
	1001727	Dry charge Battery 6V 240 Ah	4
33	1001728	Battery 12V 158 Ah (full charge)	2
34	1001755	Hours counter	1
35	1001471	Support	1
36	1001708	Clamp	1
37	1001674	Refuse-box kit	1
38	1001670	Hourmeter kit	1
39	1001673	Left side brush kit	1
40	1001633	Sponge	2
41	1001496	Support	2
42	1001689	Bag filter "C" class	1
43	1001780	Reduction gear left	1

DATA 29/03/01

RS 42

TAV. 8

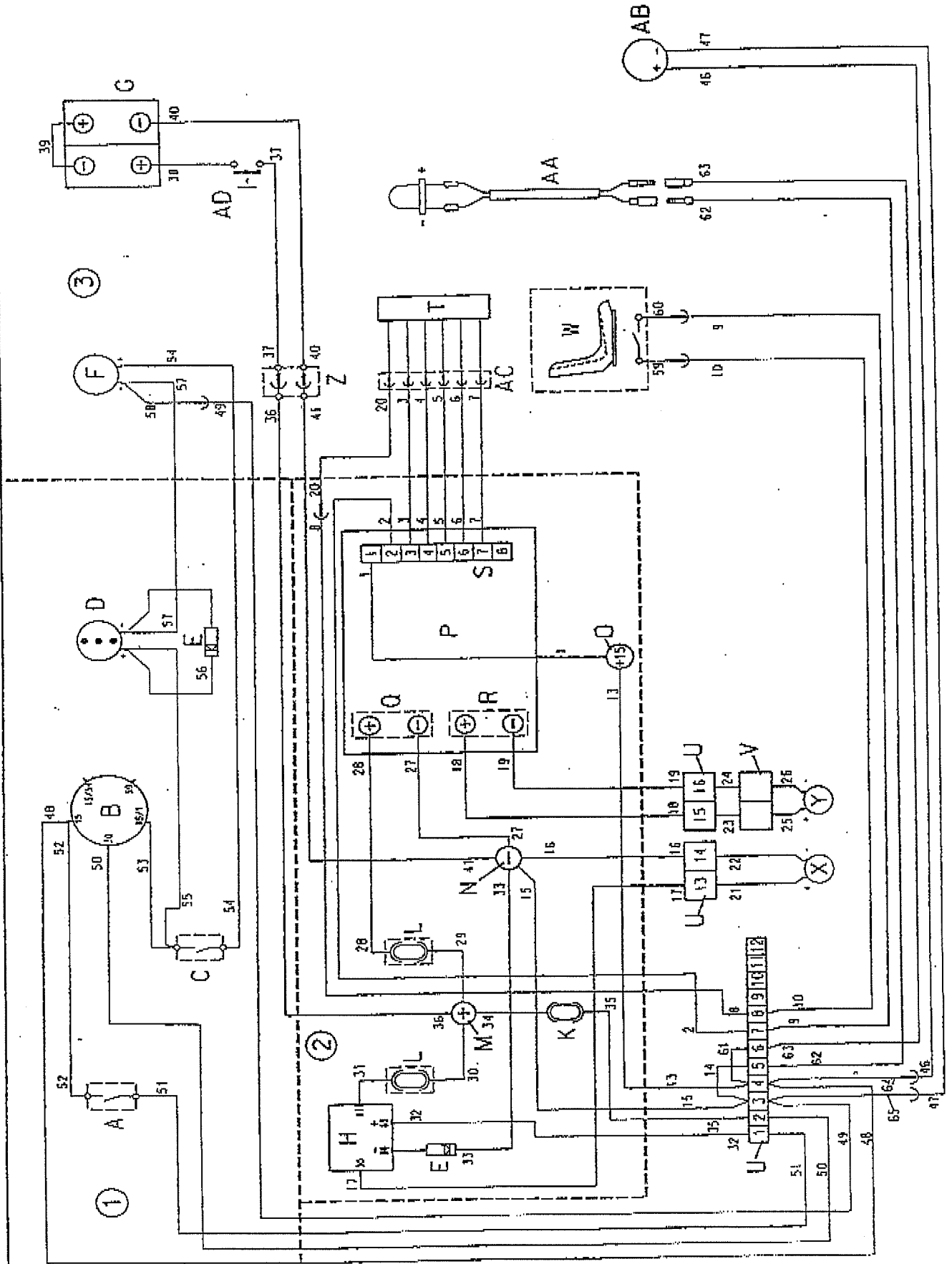


DIAGRAM 8

RS 42

22/07/2002

Ref.N°	Description
1	Controls board
2	Electric panel
3	Chassis
A	Brush switch
B	Key
C	Horn push button
D	Battery charge indicator
E	Diode 3A
F	Horn
G	Battery
K	Fuse 8A
H	Relais
L	Fuse 30A
M	Positive pole
N	Negative pole
O	Positive pole under the key
P	Electric card
Q	Input from battery
R	Output to the motor
S	Electric card connector
T	Plate handle
U	Terminal board above the chassis
V	Terminal board under the chassis
X	Brush motor
Y	Wheel motor
W	Seat
Z	Connector
AA	Flashing light
AB	Hours meter
AC	Plate handle connector
AD	Battery emergency disconnection

I E Diode 3A